



Mist & Dust Collector For Grinding/ Polishing Machines

1

Can be used immediately by installing a duct!

2

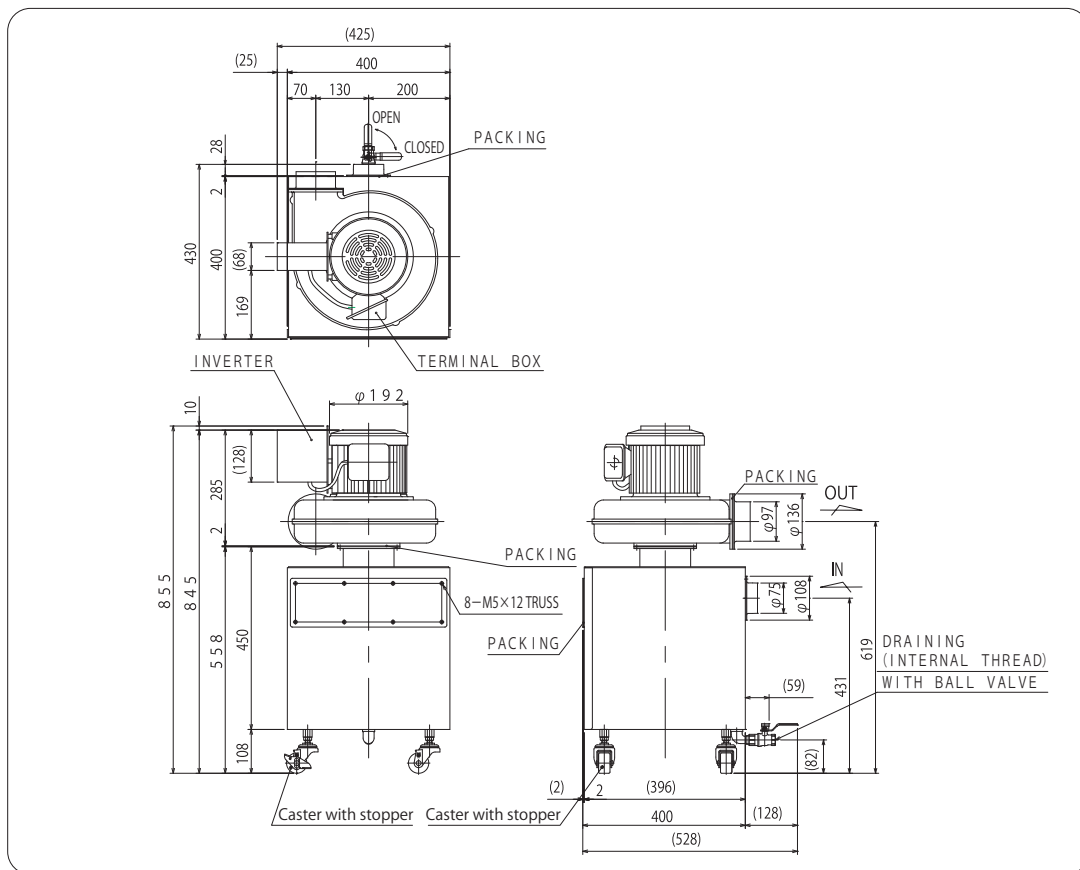
Equipped with casters so it can be moved easily!

3

Volume adjustable (equipped with an inverter!)



Dimensional outlines



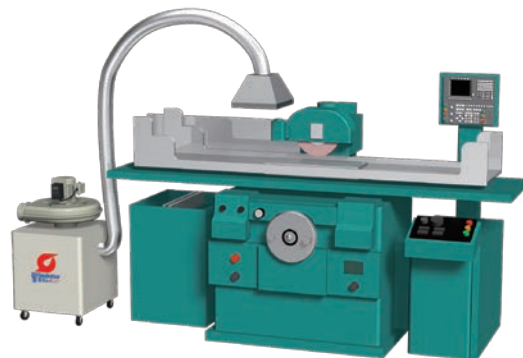
Standard specifications

Model	Phases	Poles (P)	Output (kW)	50Hz		60Hz		Max. air intake temperature (°C)	Noise (dB (A))	Dust collection capacity (L)	Approx. weight (kg)	Suction flange External diameter (mm)
				Max. volume (m³/min)	Max. static pressure (kPa)	Max. volume (m³/min)	Max. static pressure (kPa)					
GRM-H04T	3	2	0.4	8.3	1.25	9.8	1.75	40	71	11.8	37	φ 75

Special order specifications ● Different voltage ● Color ● Explosion-proof (For details, please contact us.)

Examples of use

- Surface grinding machines,
- Cylindrical grinding machines,
- Internal grinding machines,
- Centerless grinders, etc.



SHOWA DENKI CO., LTD.

Overseas Sales Dept.
1-25 Shinden Kita-machi, Daito-city, Osaka, Japan 574-0052
Tel: +81-72-871-1511 Fax: +81-72-870-7243
E-mail: web-info@showadenki.co.jp

SHOWA DENKI (KOREA) CO., LTD.

A-710 Cheonan Mirae Ace High Tech City, 10, Baekseokgongdan 1-ro, Seobuk-gu, Cheonan-si, Chungcheongnam-do, Korea
TEL: +8241-906-5710 FAX: +8241-906-5720
E-mail: skr@showadenki.co.jp

SHOWA DENKI (THAILAND) CO., LTD.

No1/46 Soi2 Grande De Ville, Soi Supapong 1 (Soi Srinakarin 42), SriNakarin Road Nongbon, Pravat Bangkok, Thailand 10250
Tel: +66-2330-8798 Fax: +66-2330-8799
E-mail: wannapha@showadenki.co.jp
(Japanese, Thai, English)

SHOWA DENKI (TAIWAN) CO., LTD.

No.82, Liaoyang 4th Street, Beitun Dist., Taichung City, Taiwan
TEL: +886-4-2241-3005 FAX: +886-4-2241-3006
E-mail: stw@showadenki.co.jp